

Minimum Standard Numeracy Test

Sample Questions

1. Four friends are playing a video game. Their final scores are shown below.

Name	Score
Dan	87 778
Sue	78 877
Marie	87 088
Peter	78 788

Who has the highest score?

- Dan
- Sue
- Marie
- Peter

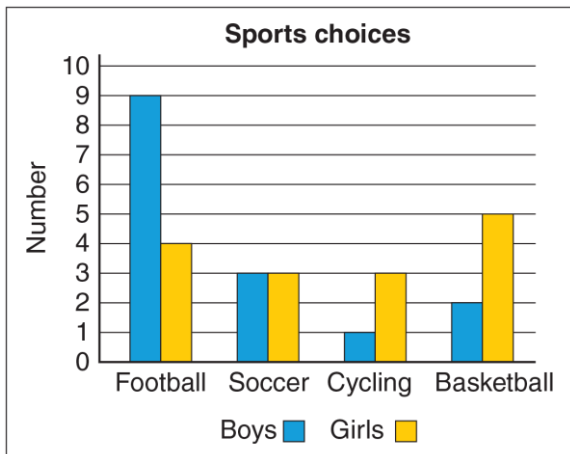
2. Some common signs are shown.



Which sign has the shape of an octagon?

- A
- B
- C
- D

3. The graph shows the results of a survey conducted to find the favourite sports of boys and girls.



Which sport was equally favoured by boys and girls?

- Football
- Soccer
- Cycling
- Basketball

4. What is 20% of \$25.00?

- \$5.00
- \$20.00
- \$30.00
- \$50.00

5. A student leaves home at 7:40 am and arrives at school at 8:15 am.

How long does he take to go to school?

- 25 min
- 35 min
- 55 min
- 75 min

6. Wayne is booking a hotel to stay during winter. He wants to sail and surf.

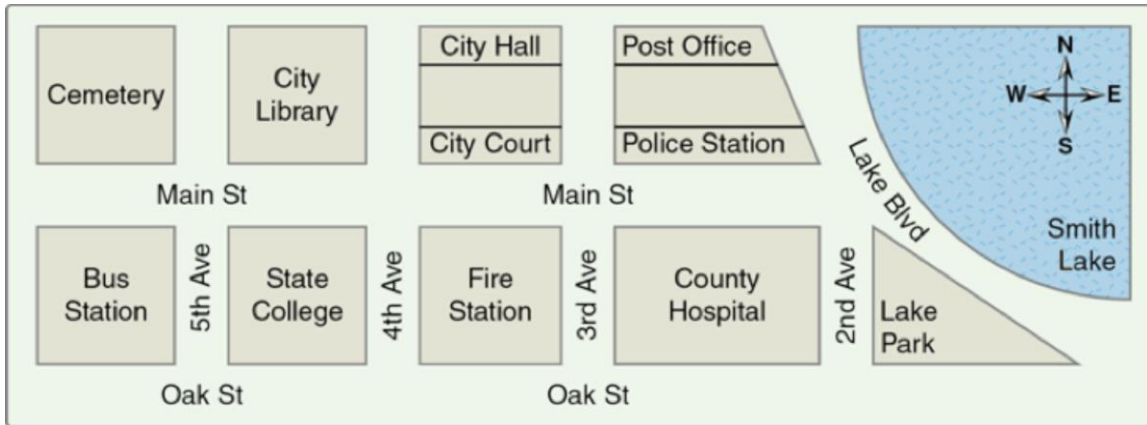
	Sail	Cycle	Golf	Surf	Fish
Aquarius		●	●		●
Blue Heaven	○	●		○	●
Crystal Sands	●	●	○	●	
Diamond Shores	●			○	

● Available all year
○ Available in summer only

Which hotel should he book?

- Aquarius
- Blue Heaven
- Crystal Sands
- Diamond Shores

7.

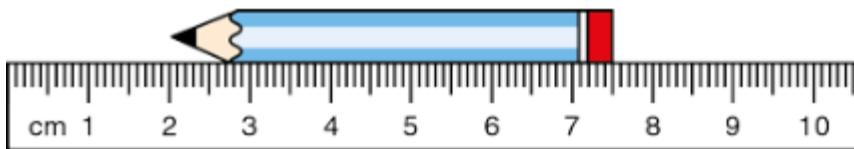


Kim just got off the bus at the Bus Station on Main St.

In which direction does Kim have to walk to get to the County Hospital?

- North
- South
- East
- West

8. A ruler is shown measuring a pencil.



How long is the pencil?

- 5 cm
- 5.5 cm
- 7.5 cm
- 9.5 cm

9. I have:

- 6 five-dollar notes
- 1 ten-dollar note
- 2 fifty-dollar notes.

How much do I have altogether?

- \$90
- \$140
- \$145
- \$170

10. The chart below shows the height limits of four road tunnels.

Tunnel	Signposted height limits (metres)
Airport Tunnel	4.4
M2 Motorway	5.0
M5 East Main	4.6
Sydney Harbour	4.4

Truck A has a height of 4.5 metres and Truck B has a height of 4.3 metres.

Which of the following shows the tunnels that both trucks can use safely?

- Airport Tunnel and M5 East Main
- M2 Motorway and M5 East Main
- Sydney Harbour and M2 Motorway
- M5 East Main and Sydney Harbour

11. To get a shade of blue, a painter mixes blue paint and white paint in the ratio of 4:1.

How many litres of blue paint and white paint would be needed to get 60 litres of the required shade of blue?

- 55 blue and 5 white
- 48 blue and 12 white
- 45 blue and 15 white
- 40 blue and 20 white

12. A person's height (H) in cm is estimated to be 4 times the length of their forearm (F) in cm plus 10 cm.

This can be written as a formula

$$H = 4F + 10.$$

According to the formula, if Ben is 170 cm in height, what is the estimated length of his forearm?

- 32.5 cm
- 40 cm
- 45 cm
- 52.5 cm

13. Each minute 100 L of water is taken from a tank to water crops. After the crops had been watered for 10 minutes the tank contained 8000 L.

How much water was in the tank before the crops were watered?

- 7000 L
- 7900 L
- 8100 L
- 9000 L

14.

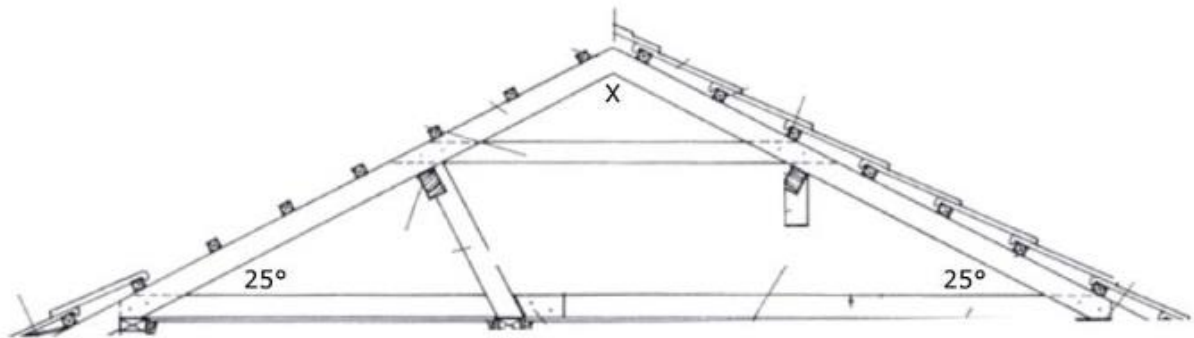
Name of bushwalk	Distance (km)	Caves	Waterfalls
Bluegum	4.5	No	Yes
Ferngully	5	Yes	Yes
Lyrebird	6.5	Yes	No
Rainforest	7	Yes	Yes

Taylor wants to take a bushwalk which includes caves and waterfalls, and which is more than 6 km in distance.

Which bushwalk should Taylor take?

- Bluegum
- Ferngully
- Lyrebird
- Rainforest

15. The diagram shows part of a plan of a house roof.



What is the size of the angle at X?

- 90°
- 100°
- 110°
- 130°

16. There were 280 passengers on a plane. Three-quarters of the passengers were adults.

How many adult passengers were on the plane?

- 70
- 140
- 210
- 350

17. Jumping Jeans is having a sale. The table shows the normal and sale prices.

Brand	Normal Price	Sale Price
<i>Stretchee</i>	\$150	\$100
<i>Blues Bros</i>	\$80	\$60
<i>Roughers</i>	\$200	\$160
<i>Riders</i>	\$120	\$90

Which brand of jeans has had the normal price reduced by one-third?

- Stretchee
- Blues Bros
- Roughers
- Riders

18. Glenn is paid \$40 an hour but on Saturdays he is paid time-and-a-half. He works for 6 hours each day Monday to Friday and 4 hours on Saturday.

How much is he paid each week?

- \$1240
- \$1360
- \$1440
- \$1940

19. The mass of a horse is 0.6 tonnes and the mass of the rider is 53 kg.

What is the total mass of the horse and rider?

- 53.6 kg
- 113 kg
- 547 kg
- 653 kg

20. Shastri works for a local shop. A customer gives her a \$50 note to pay for:

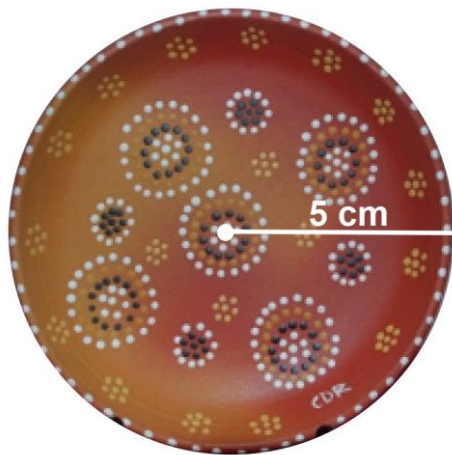
- 500 grams of tomatoes — at \$3 a kilogram
- 100 grams of mushrooms — at \$7 a kilogram
- 250 grams of strawberries — at \$10 a kilogram

What is the correct change that Shastri should give back to the customer?

Calculator

- \$30.00
- \$34.70
- \$40.25
- \$45.30

21. An Aboriginal artist has painted this circular plate, which will be glazed to protect the paint. To work out how much glaze to use, the artist needs to know the area of the plate.



Which of the following is the best approximation for the area of the circular plate in cm^2 ?

- 30
 - 80
 - 100
 - 200
22. Michelle has an average score of 70 for three tests.

What must she score on the next test to increase her average to 74?

Calculator

- 74
 - 78
 - 82
 - 86
23. Alex is travelling from Town A to Town B. Her map has a scale of 1:100 000. She uses a ruler to measure the distance between the two towns. The distance on the map is 2.6 cm.

How far does Alex have to travel?

- 2.6 km
- 26 m
- 26 km
- 260 m

24. A wheelbarrow weighs w kg when empty. It is filled with n bricks each weighing b kg.

The total weight in kilograms of the wheelbarrow and bricks is

- $nb + w.$
- $n + b + w.$
- $n(b + w).$
- $nbw.$